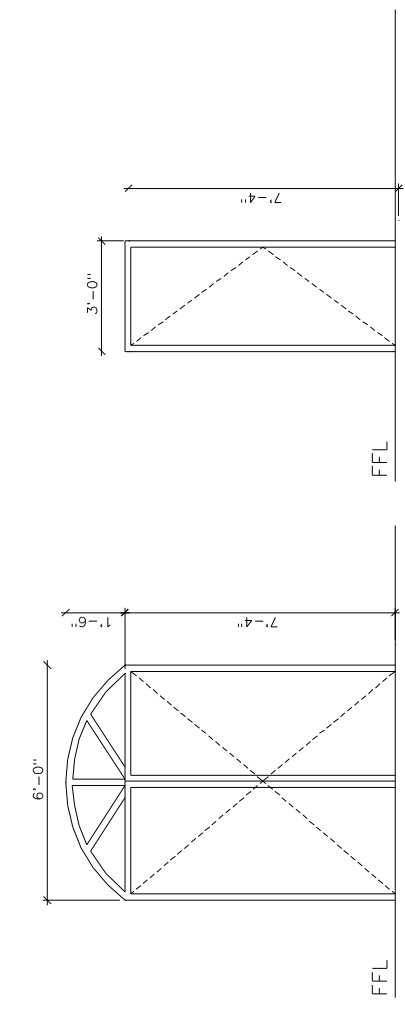


SCHEDULE OF DOORS:-

NO	SIZE	GROUND	FIRST	SECOND	ROOF	LOCATION	REMARKS
ED1	6'-0" X 7'-4"	1	-	-	-	KITCHEN ENTRANCE	
D1	3'-0" X 7'-4"	7	6	6	-	CLASS ROOM, OFFICE	
D2	2'-8" X 7'-4"	1	1	1	1	WASH, ROOF STAIRCASE	
D3	2'-0" X 7'-4"	2	2	2	-	TOILET	

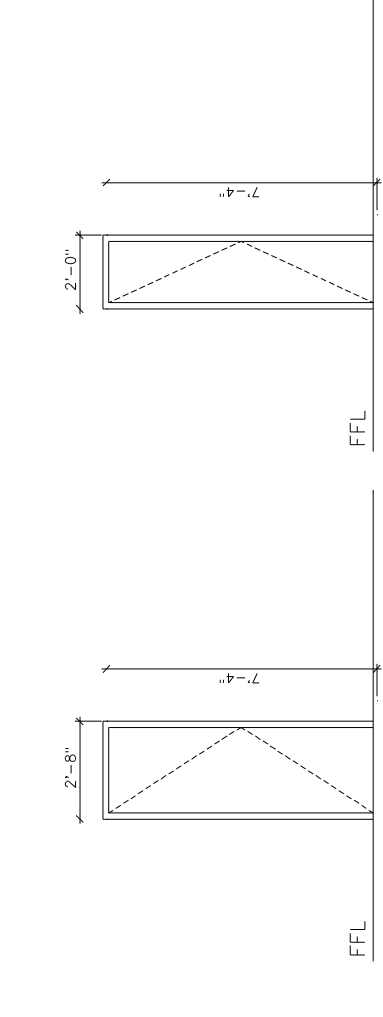
SCHEDULE OF WINDOWS:-

NO	SIZE	GROUND	FIRST	SECOND	ROOF	LOCATION	REMARKS
W1	4'-0" X 4'-4"	28	30	30	-	CLASS ROOM, OFFICE	
W2	4'-0" X 4'-0"	1	-	-	-	STAIRS	
V1	1'-6" X 2'-0"	2	2	2	-	TOILET	



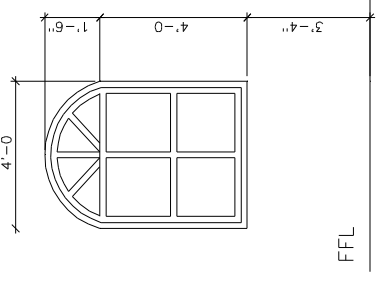
(D1)

(ED1)

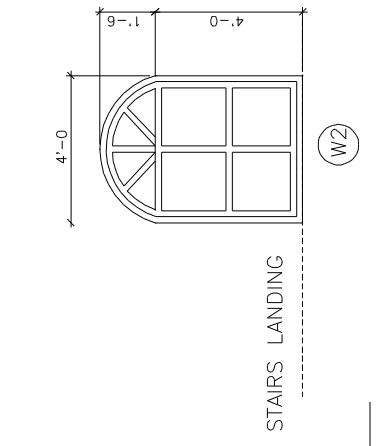


(D2)

(D3)



(W1)



(W2)

(V1)

SCHEDULE OF DOORS

SCHEDULE OF WINDOWS

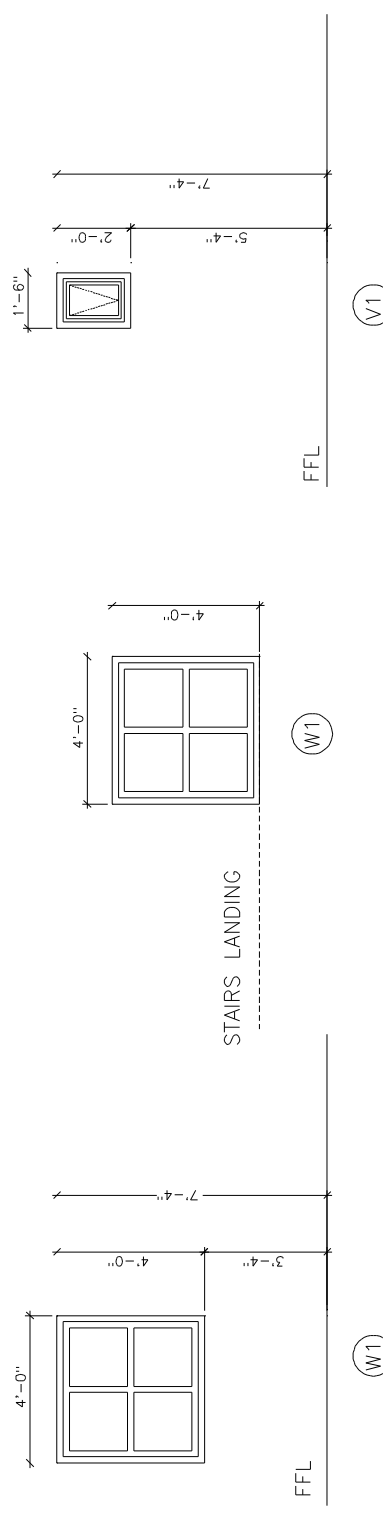
MAIN BUILDING  
DOORS AND WINDOWS SCHEDULE

SCHEDULE OF DOORS:-

NO	SIZE	GROUND	FIRST	SECOND	ROOF	LOCATION	REMARKS
ED1	4'-0" X 7'-4"	2	-	-	-	ENTRANCE	
D1	3'-0" X 7'-4"	8	8	8	1	ROOMS, ROOF STAIR	
D2	2'-8" X 7'-4"	1	1	1	1	TOILET	
D3	2'-0" X 7'-4"	2	2	2	2	BATH, TOILET	

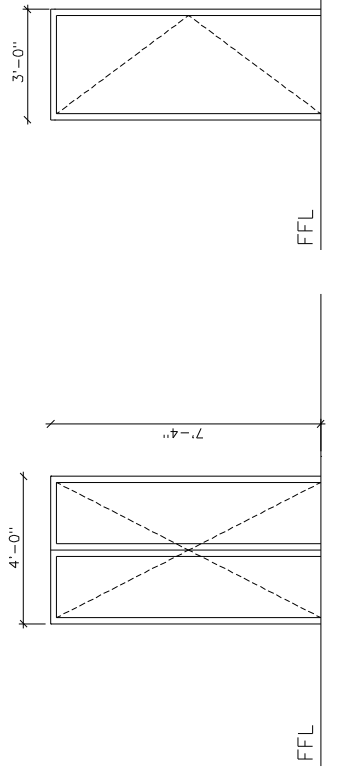
SCHEDULE OF WINDOWS:-

NO	SIZE	GROUND	FIRST	SECOND	ROOF	LOCATION	REMARKS
W1	4'-0" X 4'-4"	16	18	18	18	ROOMS	
W2	4'-0" X 4'-0"	1	1	1	1	STAIRS	
V1	1'-6" X 2'-0"	2	2	2	2	TOILET	



(W1)

(V1)



(ED1)

(D1)

(D2)

(D3)

HOSTEL BUILDING  
DOORS AND WINDOWS SCHEDULE

PROJECT:-

PROPOSED (G+2) MAIN BUILDING & HOSTEL FOR MADARSA  
RAHBAR-E-BANAT AT SAMASTIPUR

DRAWING TITLE:-

SCALE:1/10"=1'-0"

DOORS & WINDOWS SCHEDULE

DRWG. NO

A-10